

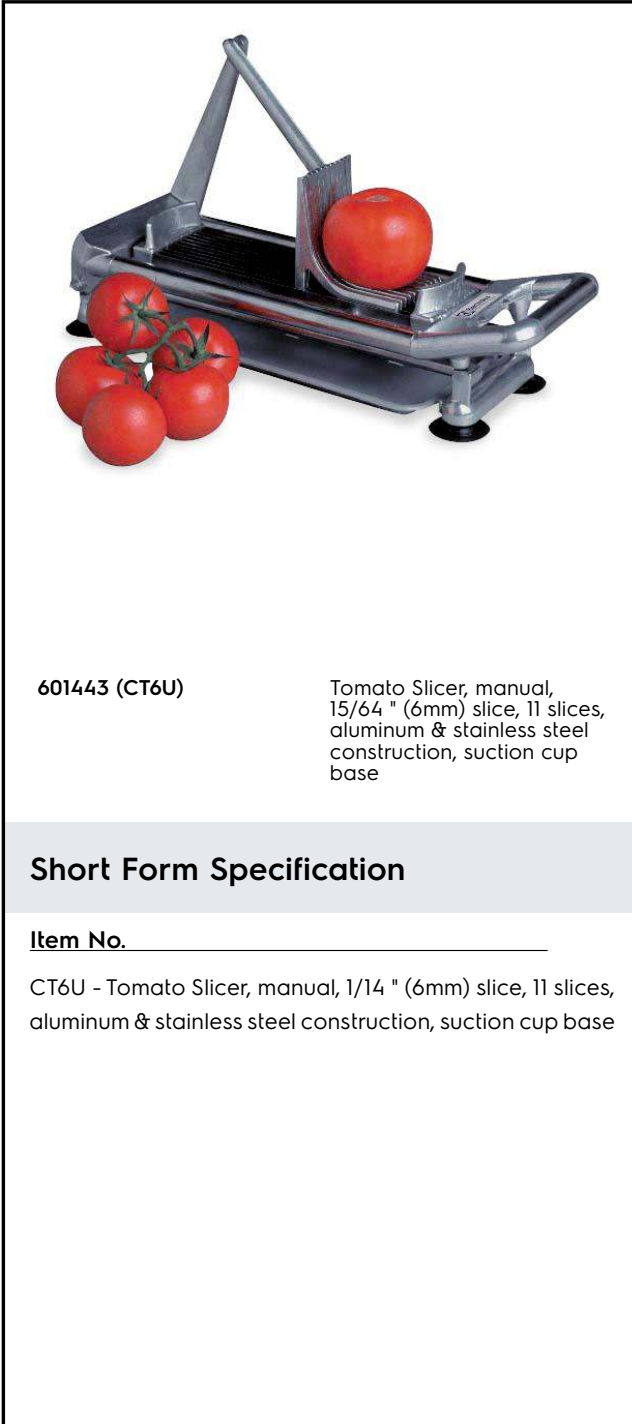


**Electrolux**  
PROFESSIONAL

**Manual Equipment  
CT6 Tomato Slicer, 1/4", manual**

ITEM # \_\_\_\_\_  
MODEL # \_\_\_\_\_  
NAME # \_\_\_\_\_  
SIS # \_\_\_\_\_  
AIA # \_\_\_\_\_

**Electrolux**  
PROFESSIONAL



601443 (CT6U)

Tomato Slicer, manual,  
15/64 " (6mm) slice, 11 slices,  
aluminum & stainless steel  
construction, suction cup  
base

**Short Form Specification**

Item No. \_\_\_\_\_

CT6U - Tomato Slicer, manual, 1/14 " (6mm) slice, 11 slices,  
aluminum & stainless steel construction, suction cup base

**Main Features**

- Slices are cut evenly and cleanly without crushing thus retaining the original shape after cutting.
- Table stand with 4 suction pads for better stability.
- Easy dismantling without any tools.
- Easy cleaning under running water.
- Dimensions (H×L×W): 9.4" (240 mm) × 16.8" (427 mm) × 5.7" (145 mm).
- In normal use, around 20 tomatoes can be sliced in a minute

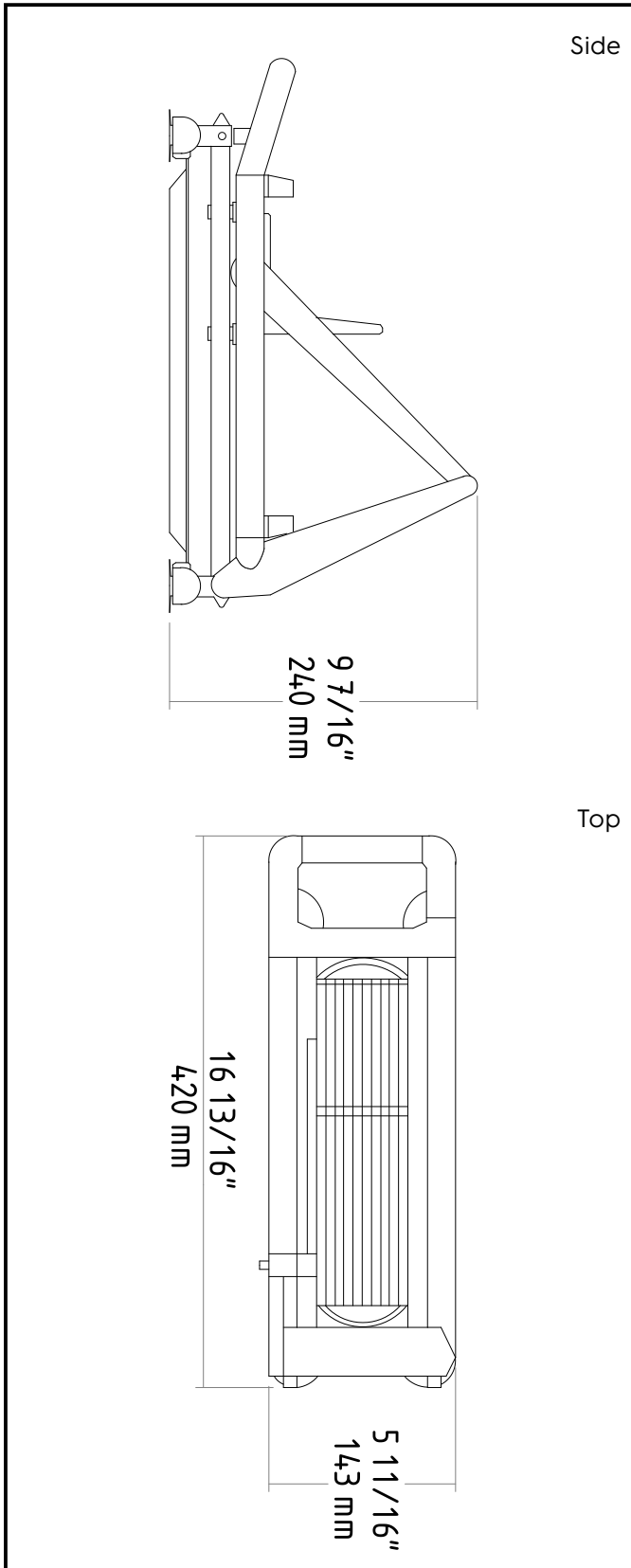
**Included Accessories**

- 1 of Tomato Guide for 1/4" slicer PNC 653099
- 1 of Blade assembly for 1/4" tomato slicer PNC 653100

**Optional Accessories**

- Tomato Guide for 1/4" slicer PNC 653099
- Blade assembly for 1/4" tomato slicer PNC 653100
- Tipper support for tomato slicer PNC 653282

APPROVAL: \_\_\_\_\_



**Key Information:**

External dimensions, Width: 5 11/16" (145 mm)  
601443 (CT6U)

External dimensions, Depth: 16 13/16" (427 mm)

External dimensions, Height: 9 7/16" (240 mm)